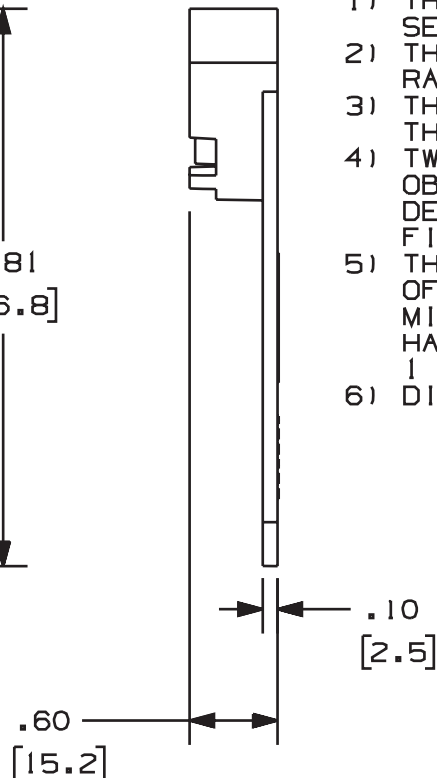
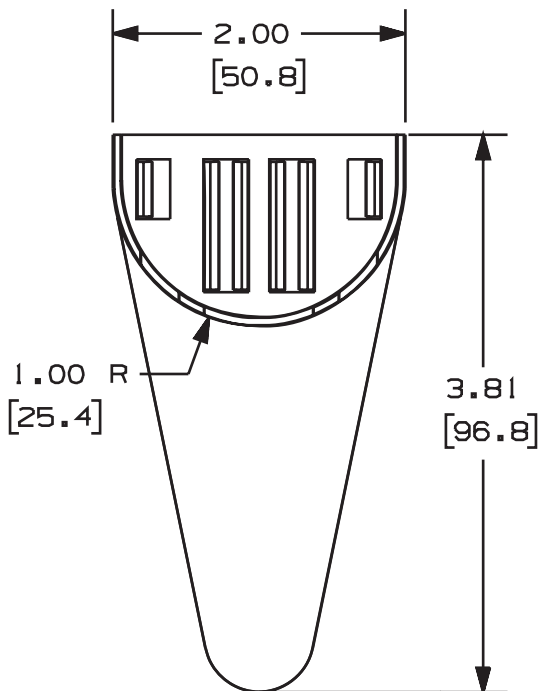


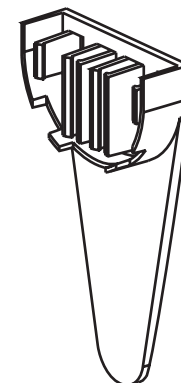
THIS COPY IS PROVIDED ON A RESTRICTED BASIS AND IS NOT TO BE USED IN ANY WAY DETRIMENTAL TO THE INTERESTS OF PANDUIT CORP.

PANDUIT P/N	WEIGHT
T70FSB	0.34 LB/ 10 PCS (154 G / 10PCS)



NOTES:

- 1) THIS PART IS TO BE USED WITH THE T70 OR T702 SERIES RACEWAY.
- 2) THIS BRACKET WILL LATCH ONTO THE CENTER OF THE RACEWAY BASE- IF NO DIVIDER WALLS ARE PRESENT.
- 3) THIS BRACKET CAN ALSO LATCH OFFSET TO THE CENTER OF THE RACEWAY BASE- IF ONE OUTER DIVIDER WALL IS PRESENT.
- 4) TWO OF THESE BRACKETS MUST BE INSTALLED IN ORDER TO OBTAIN A COMPLETE FIBER SPOOL. THIS TWO-PIECE SPLIT DESIGN ALLOWS THE BRACKET DISTANCE TO BE ADJUSTED TO FIT THE LENGTH OF CABLE STORAGE REQUIRED.
- 5) THIS PART CAN STORE A MINIMUM OF 3.28 FEET (1 METER) OF DUPLEX FIBER OPTIC CABLE AT A 1 INCH (25.4 MILLIMETER) MINIMUM BEND RADIUS- WHEN THE SPOOL PORTIONS OF THE BRACKET HALVES ARE TOUCHING. CABLE STORAGE CAN BE INCREASED BEYOND 1 METER BY SPREADING THE BRACKET HALVES FARTHER APART.
- 6) DIMENSIONS IN PARENTHESES ARE IN METRIC.



CAD FILENAME/LAYERS D37336BE\_DC\_T70FSB\_00A.PRT

**PANDUIT** CORP. TINLEY PARK, ILLINOIS  
**T70 FIBER SPOOL BRACKET**  
 (T70FSB)  
 CUSTOMER DRAWING

UNLESS OTHERWISE SPECIFIED,  
 DIMENSIONAL TOLERANCES ARE:  
 (.X) ± (.XXX) ±  
 (.XX) ±.03 (.8) ANGLES ±

UNLESS OTHERWISE SPECIFIED,  
 ALL DIMENSIONS ARE GIVEN  
 IN INCHES, THIRD ANGLE PROJECTION.

DRAWN BY  
 JHNU

MAT'L:

SCALE  
 NONE

DATE  
 12/21/99

PVC

DRAWING NO.  
 37336-02

DRG  
 A  
 SIZE

R	12/21/99	JHNU	RCRO	RELEASED TO PRODUCTION.	37336-02	HIW	HIW		
REV	DATE	BY	CHK	DESCRIPTION	ECN	CHK	CUST	SUP	